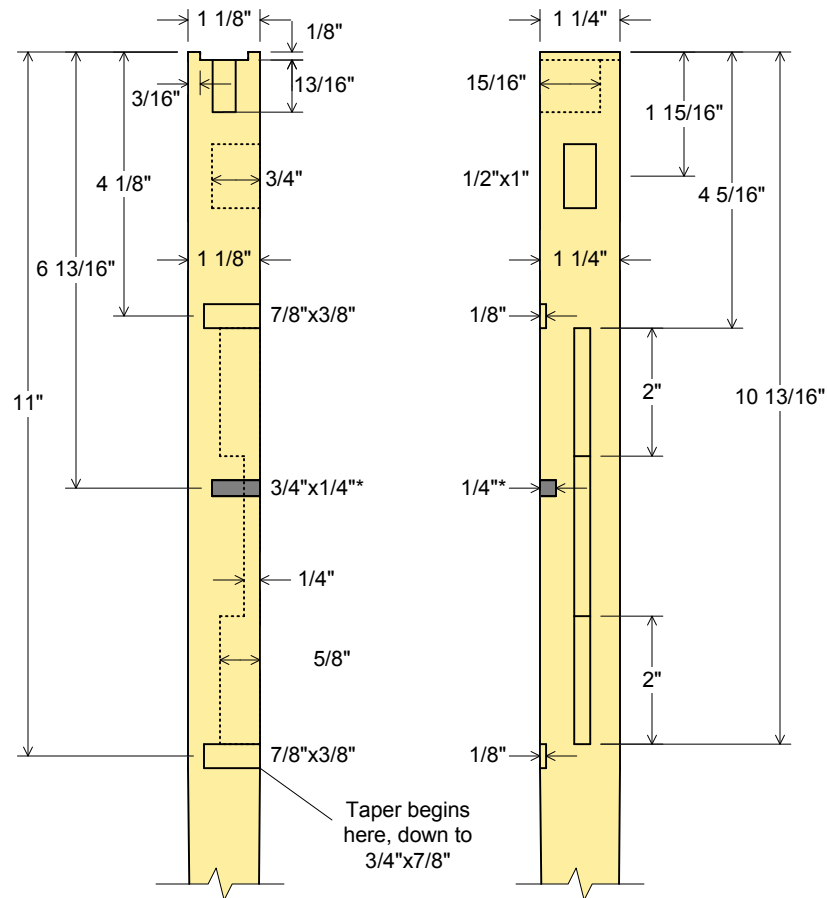
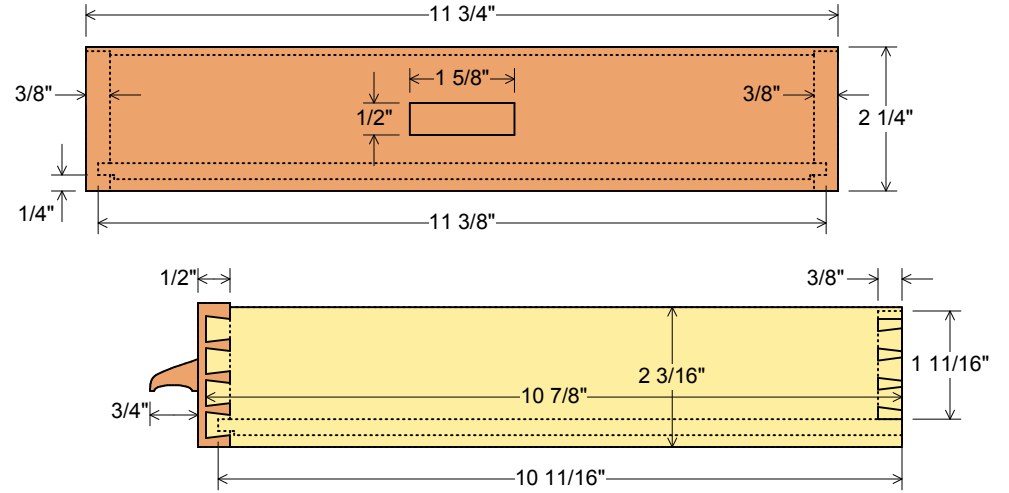


Leg Joinery

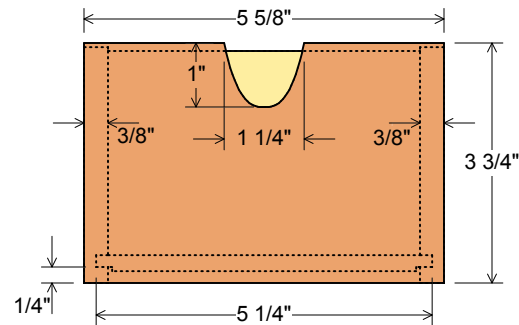


* - Middle divider mortise (shaded) on front leg only

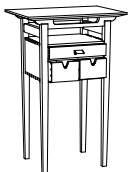
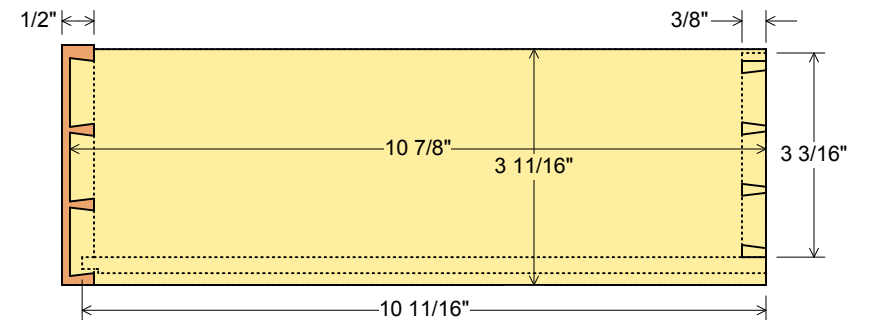
Large Drawer



Small Drawers

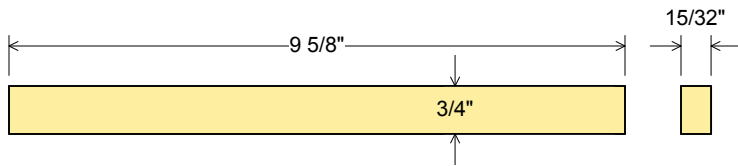


For all drawers, 3/16 inch x 3/16 inch dado in drawer sides and ends, 1/4 inch bottom with 1/16 inch rabbet around edges

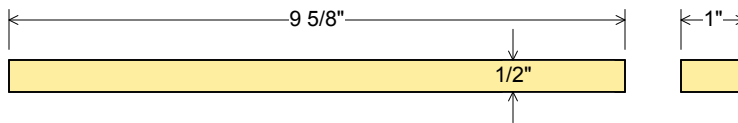


Side Drawer Dividers and Guides

Side Drawer Guides (Middle and Bottom)

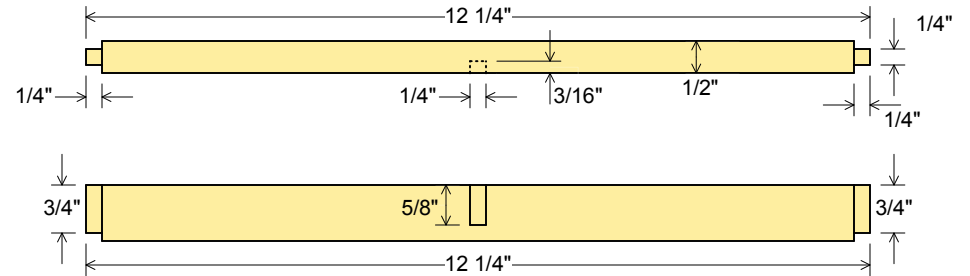


Side Drawer Divider

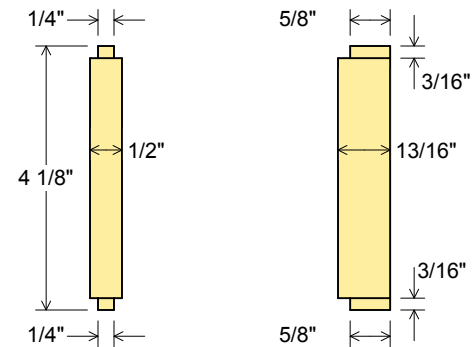


Middle Drawer Dividers and Guides:

Middle Drawer Divider



Vertical Drawer Divider



Middle Drawer Divider

