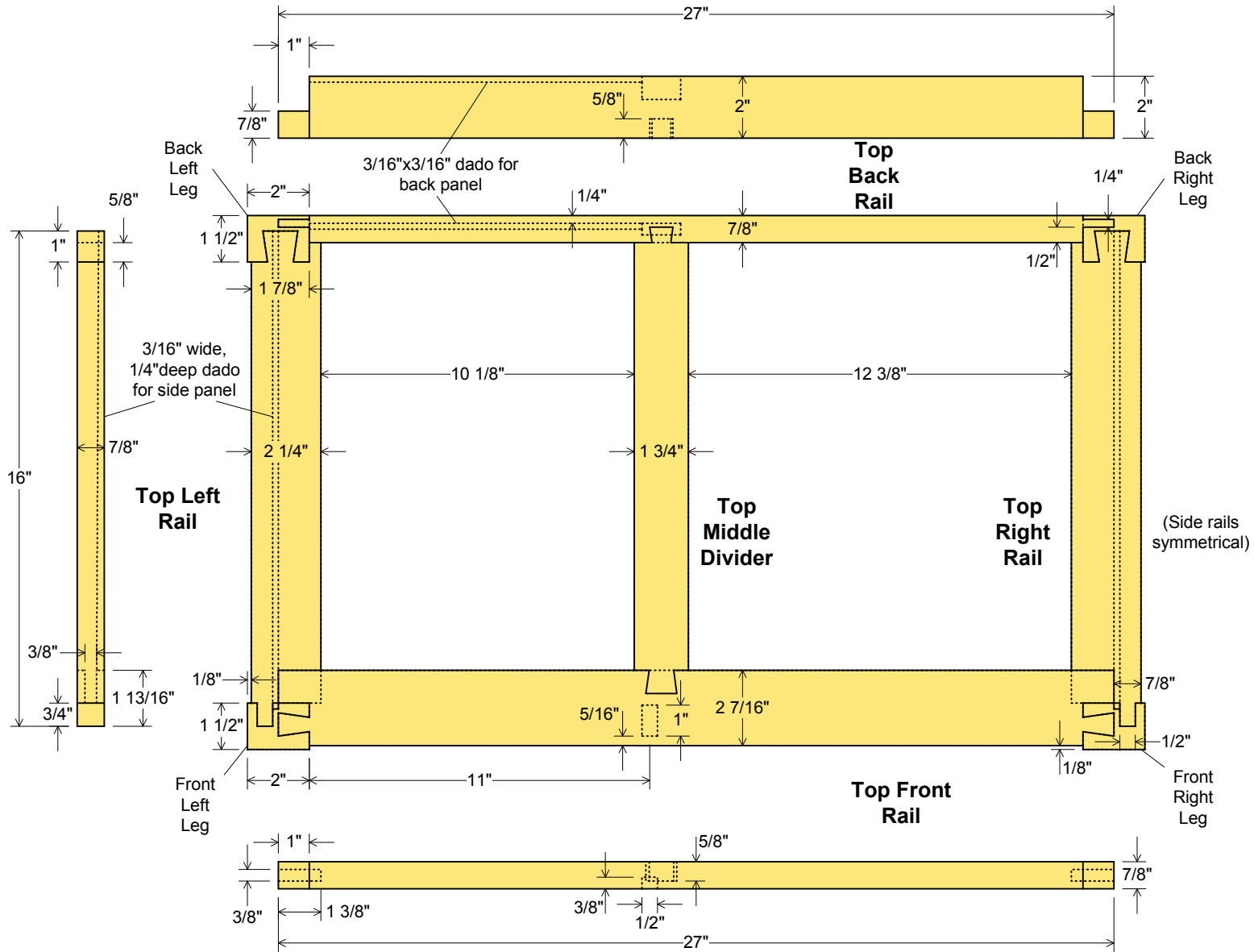
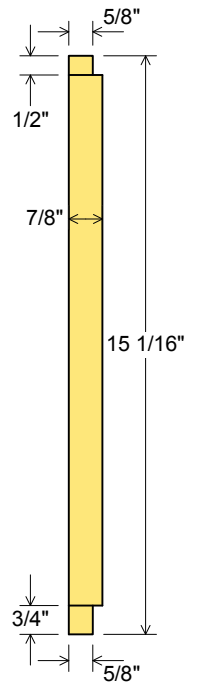




## Top Rail Assembly



## (Top Middle Divider)

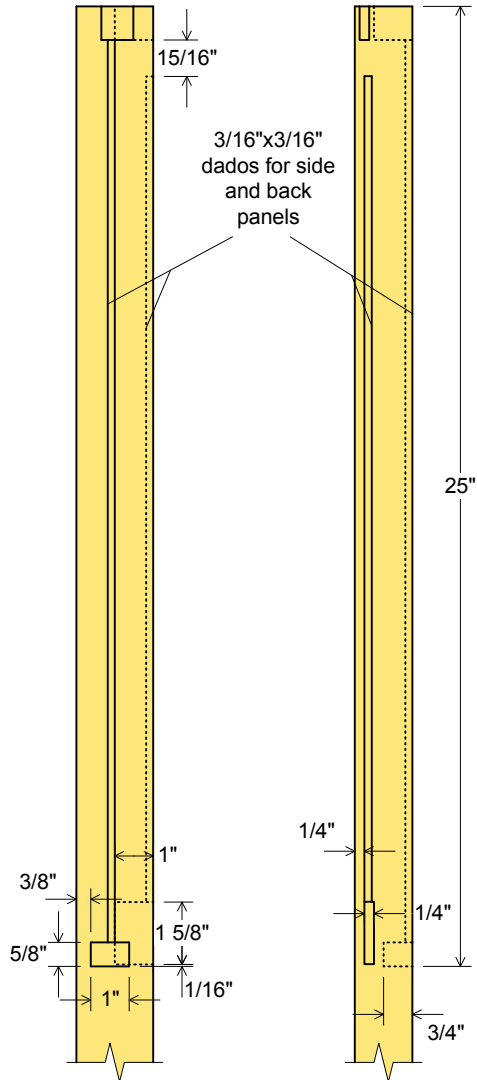




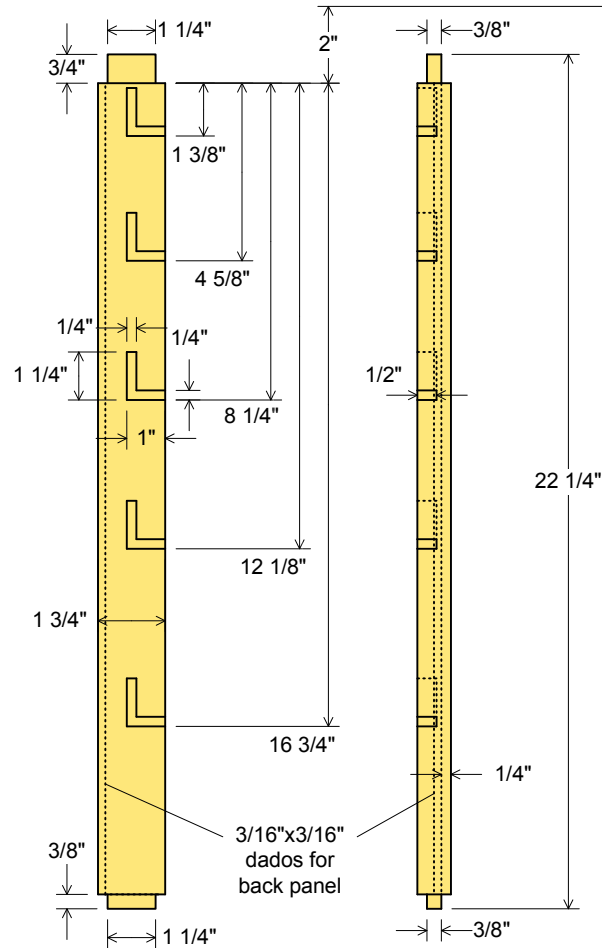
Back Legs and Stile



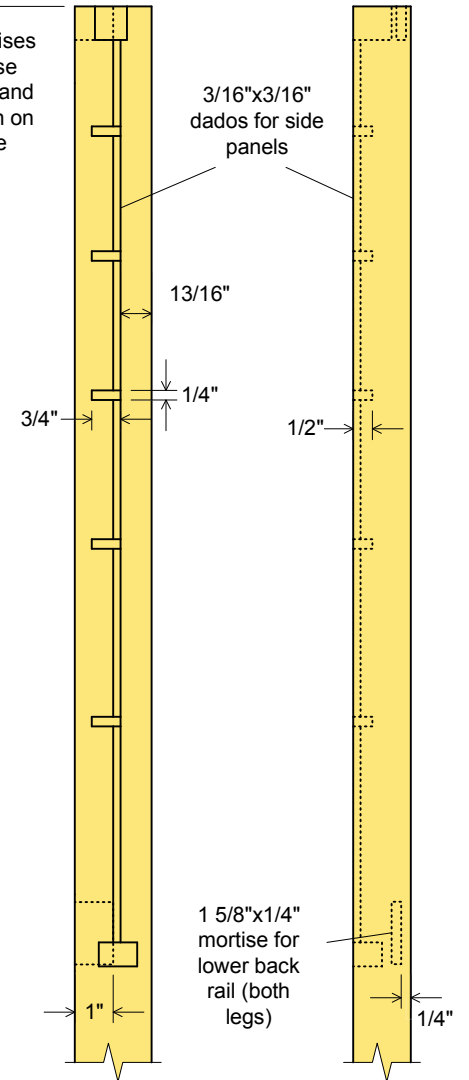
Left Back Leg



Back Stile



Right Back Leg



Divider mortises aligned; use dimensions and offset shown on Back Stile

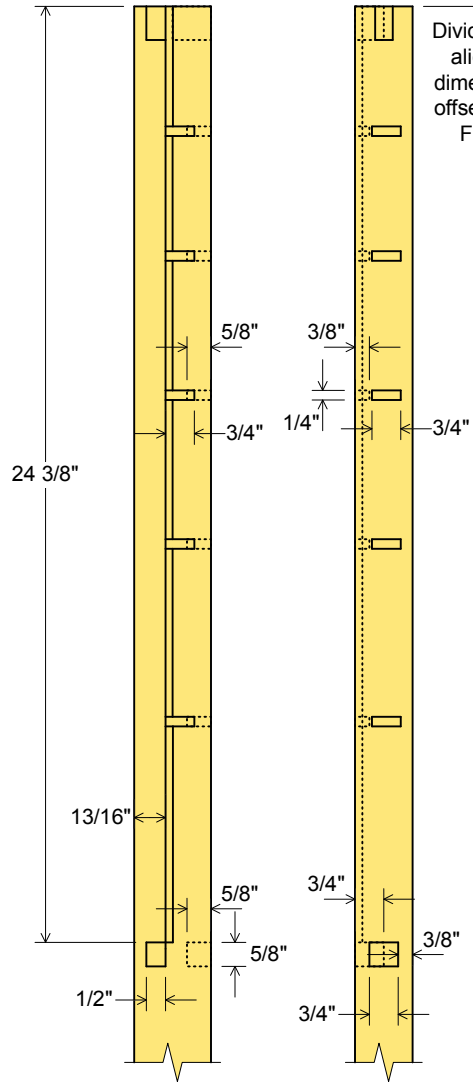
3/16"x3/16" dados for side panels

1 5/8"x1/4" mortise for lower back rail (both legs)

Front Legs and Stile

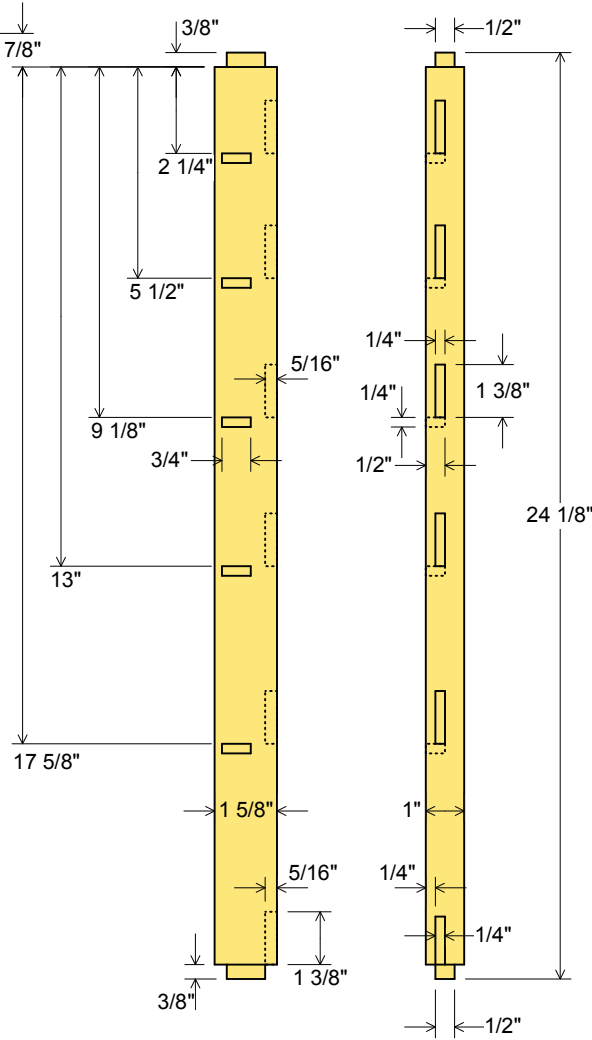


Right Front Leg

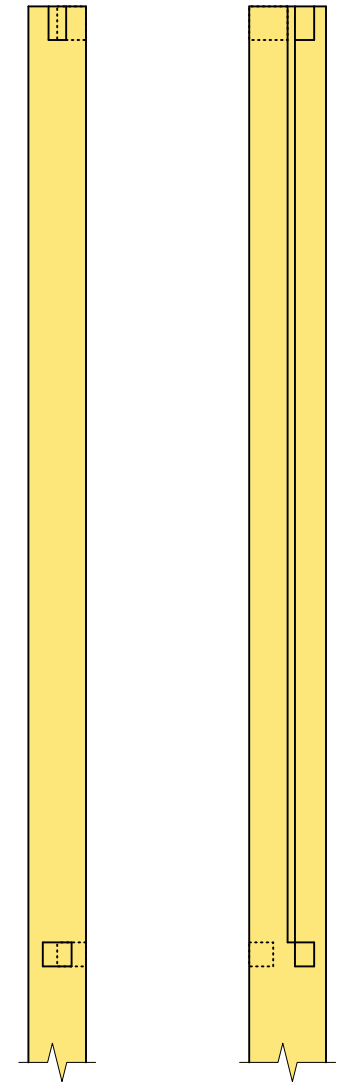


Divider mortises aligned; use dimensions and offset shown on Front Stile

Front Stile

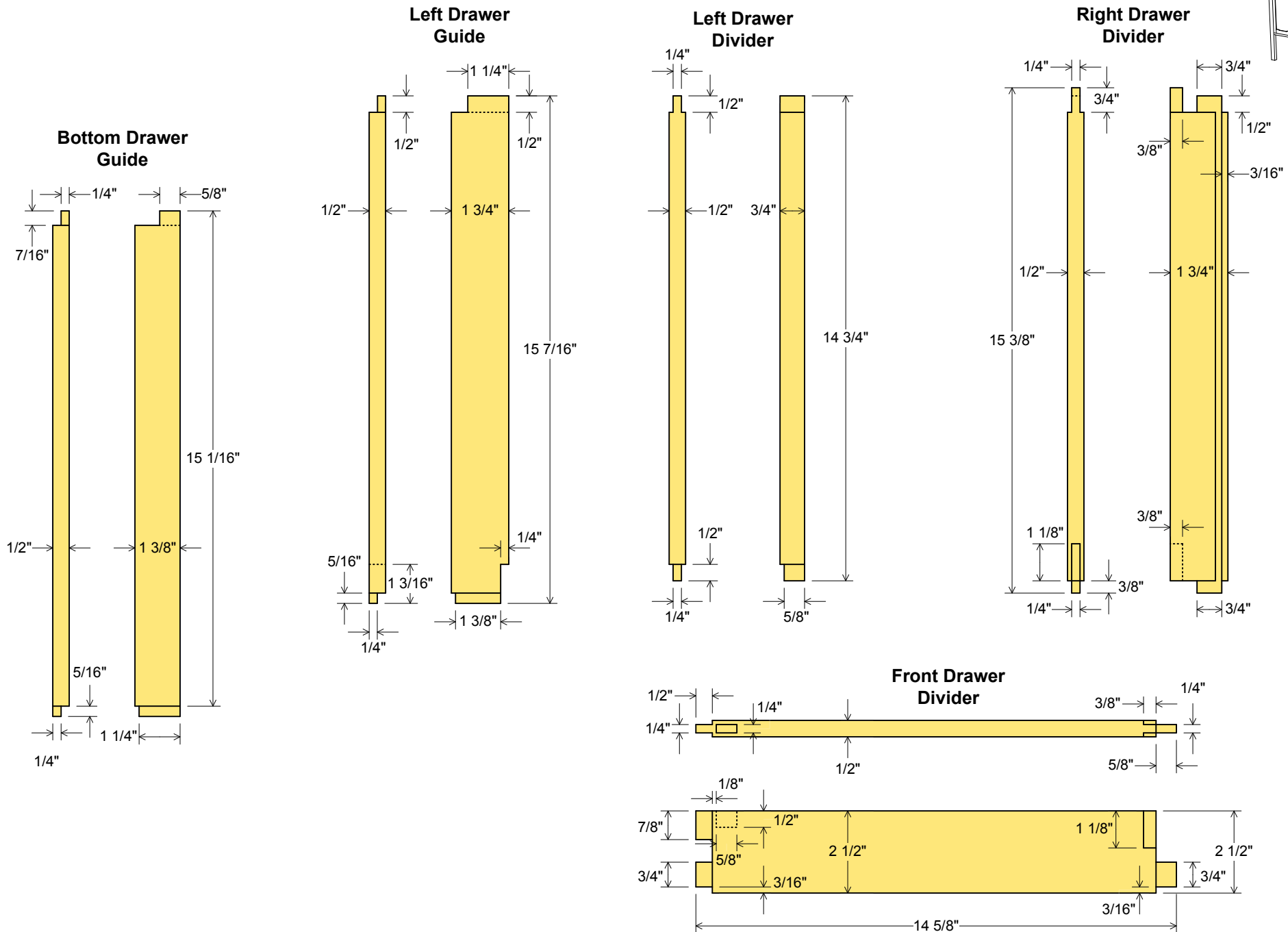


Left Front Leg

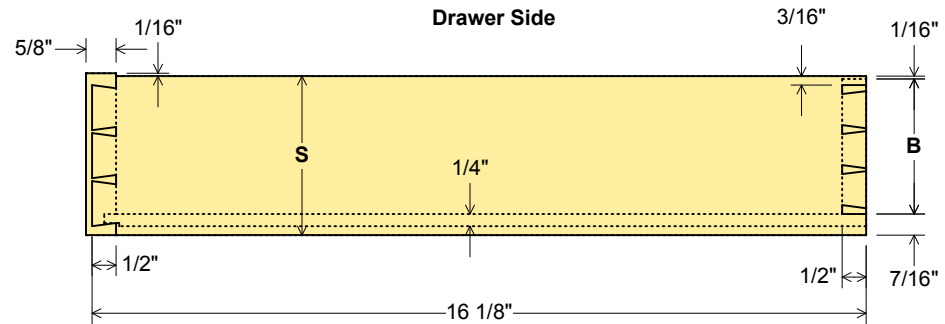
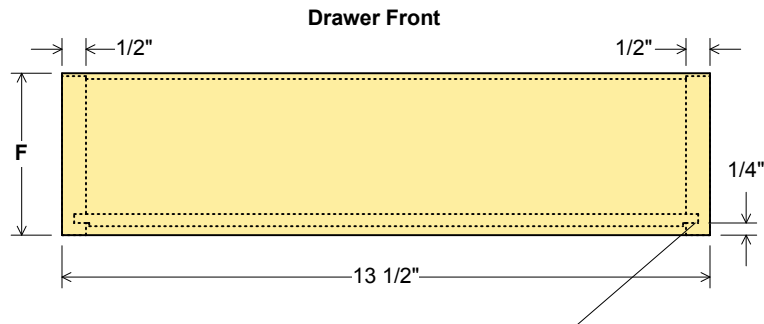


(Leg joinery symmetrical except for drawer dividers)

## Drawer Guides and Dividers

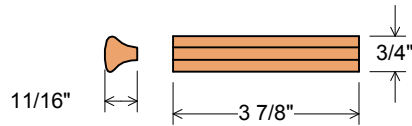


Drawers



3/16" wide, 1/4" deep dado for  
 1/4" bottom panel with  
 1/16" rabbet around edge

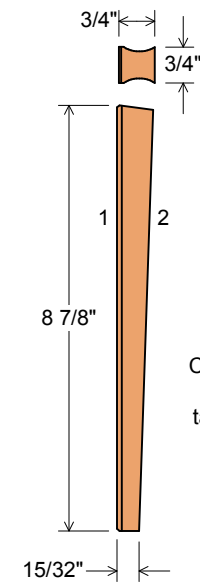
Drawer Pulls



Drawers vary in depth and dovetail layout only; refer to table for drawer-specific dimensions. All other dimensions given above.

Dimension	Drawer 1	Drawer 2	Drawer 3	Drawer 4	Drawer 5	Drawer 6
F	2 1/8"	2 3/4"	3 1/8"	3 3/8"	4 1/8"	5 3/8"
S	2 1/16"	2 11/16"	3 1/16"	3 5/16"	4 1/16"	5 5/16"
B	1 9/16"	2 3/16"	2 9/16"	2 13/16"	3 9/16"	4 13/16"

Door Handle



Cove cut in 3/4" square stock parallel to edge 1, then tapered along edge 2, which attaches to door frame



## Door and Top

